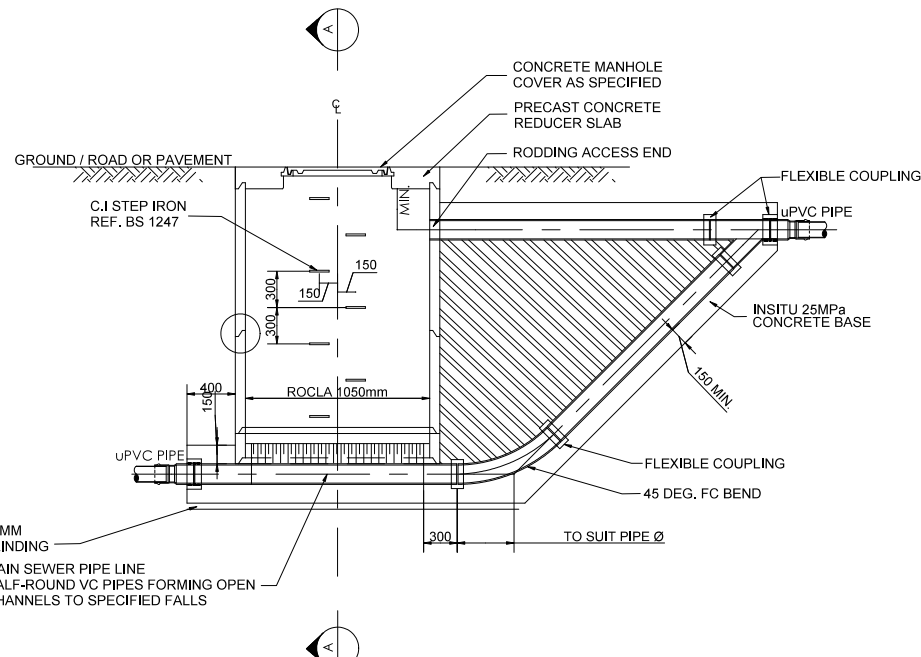


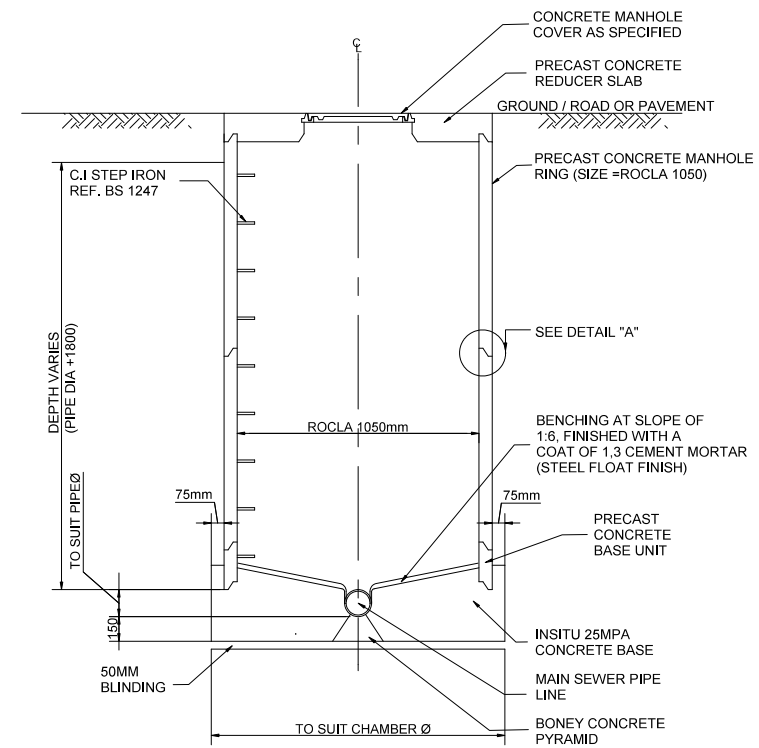
**TYPICAL DETAIL :  
PRECAST CONCRETE MANHOLE FOR SEWERS**

SCALE : N.T.S



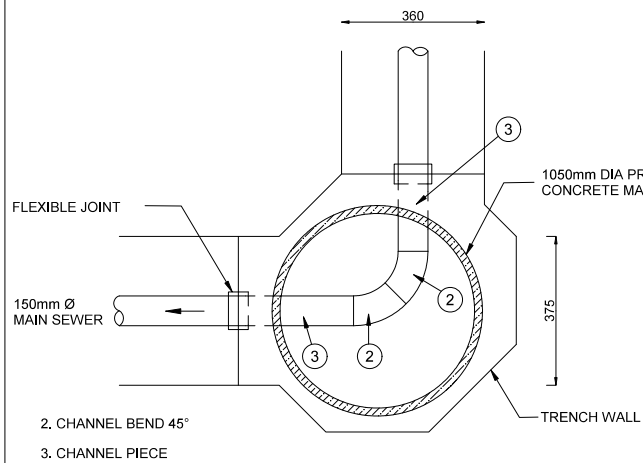
**DETAIL - BACK DROP AT MANHOLES**

SCALE : N.T.S



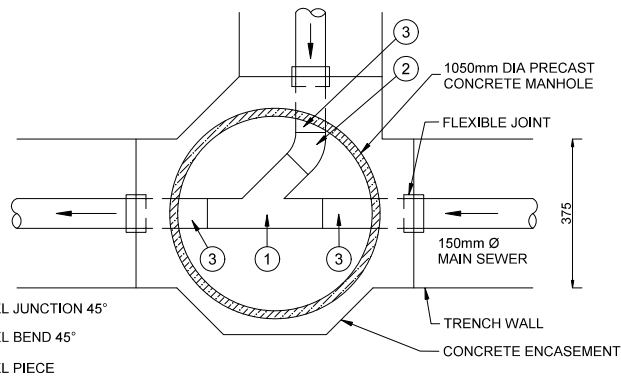
**SECTION A - A**

SCALE : N.T.S



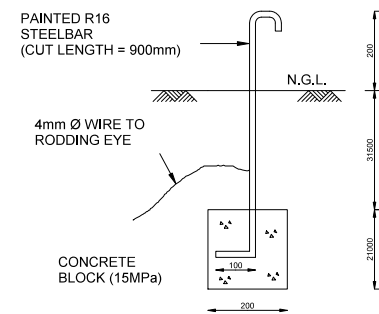
**DETAIL - TYPICAL 90° BEND IN A MANHOLE**

SCALE 1 : 20



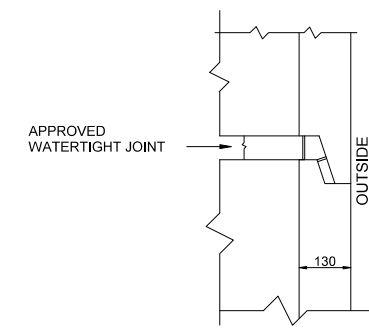
**DETAIL - TYPICAL 90° JUNCTION AT MANHOLE**

SCALE 1 : 20



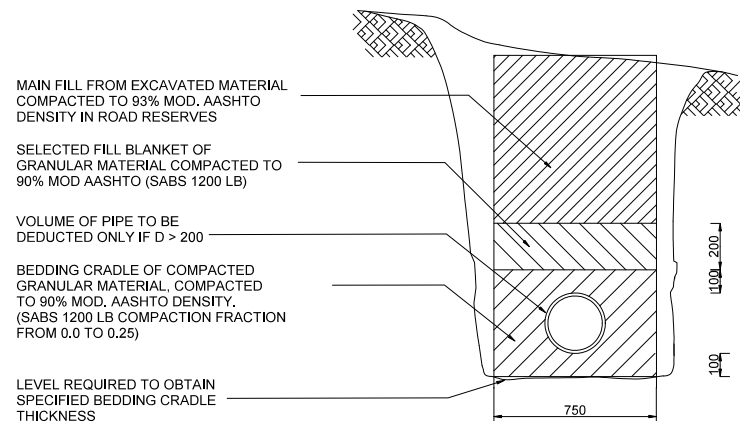
**DETAIL OF MARKER POST AT  
THE RODDING EYE AND FUTURE CONNECTIONS**

SCALE 1 : 20



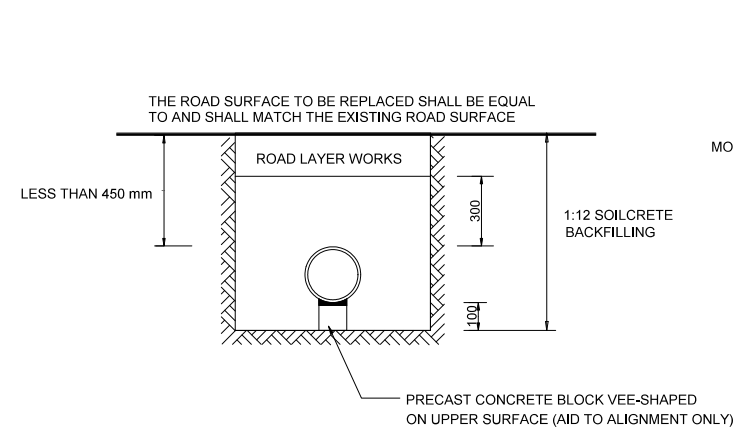
**DETAIL A**

SCALE 1 : 5



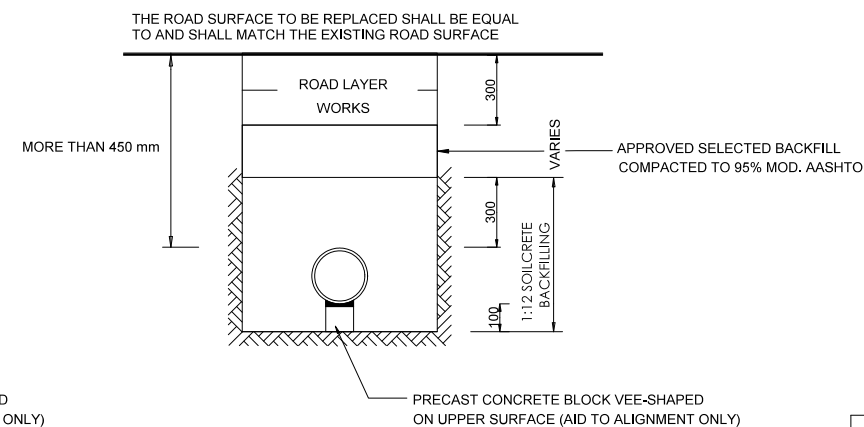
**MEASUREMENT OF BEDDING CONDITIONS FOR  
FLEXIBLE PIPES WHERE REQUIRED DEPTHS CAN  
NOT BE OBTAINED**

SCALE : N.T.S



**ROAD CROSSING AND SOILCRETE : COVER < 450 MM**

SCALE : N.T.S



**ROAD CROSSING : COVER > 450 MM**

SCALE : N.T.S

PIPE DIAMETER OD	TRENCH BASE WIDTH, W(mm)
<110mm	750
110-160mm	750
200mm	900
250mm	900
315mm	900
350mm-600mm	1100

NOTES:  
COVER ON HDPE WATER PIPES SHALL BE 500mm.  
PIPE BEDDING AND BLANKET MATERIAL SHALL CONFORM TO:  
a. MAXIMUM P1 6  
b. MAXIMUM SIZE: BEDDING 6mm  
BLANKET 19mm

**DRAWING REFERENCE**

No	Drw No	Title

**NOTES**

- FIGURED DIMENSIONS ON DRAWINGS TO BE GIVEN PRIORITY OVER SCALING.
- ANY OMISSIONS, DISCREPANCIES OR ERRORS TO BE IMMEDIATELY REPORTED TO THE ENGINEER.
- CONTRACTOR TO CHECK AND VERIFY SUFFICIENCY OF INFORMATION SHOWN ON THE DRAWING AND DIMENSIONS BEFORE COMMENCING WORK.
- SHOULD THE CONTRACTOR PROCEED WITHOUT THE ABOVE APPROVALS HE DOES SO ENTIRELY AT HIS OWN RISK.

No	Description	Date	By

**FOR TENDER PURPOSES**

Recommended by	Date
Approved by	Date
Drawn	Designed
Checked	Engineer
Client App.	Date

**SCALE: AS SHOWN**

Client  
JOE GQABI DISTRICT MUNICIPALITY

Contract  
JGDM 2013/14 - 018

Title  
STERKSPRUIT RBIG  
BULK SEWERAGE PROJECT  
MOGHESI TOWNSHIP PHASE 1  
MISCELLANEOUS DETAILS



07-DIB-083-2023  
Drawing No

Rev No