

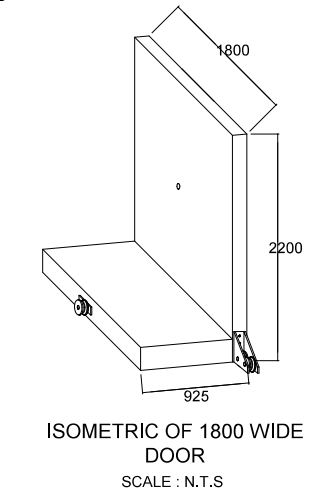
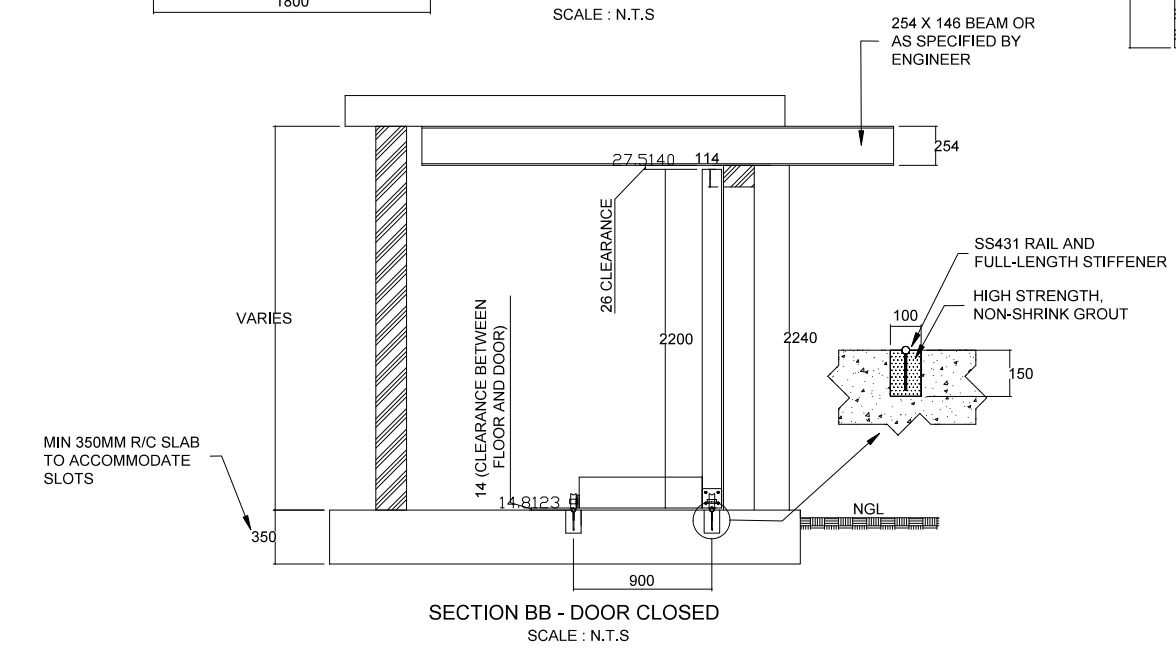
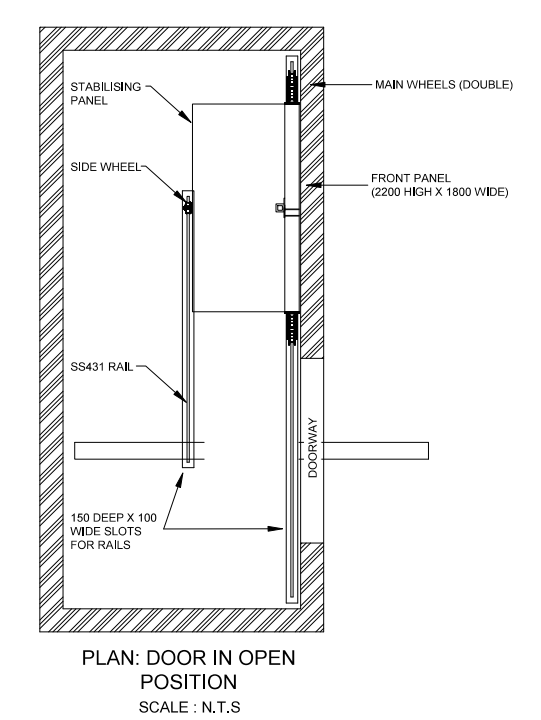
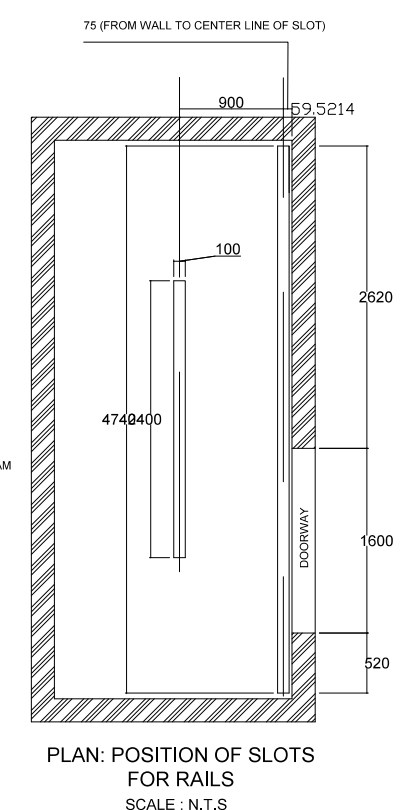
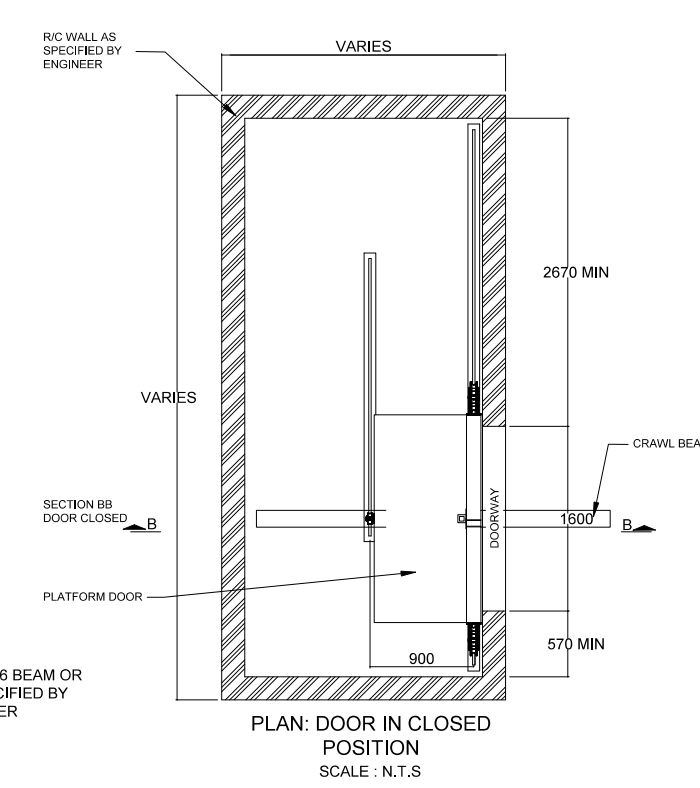
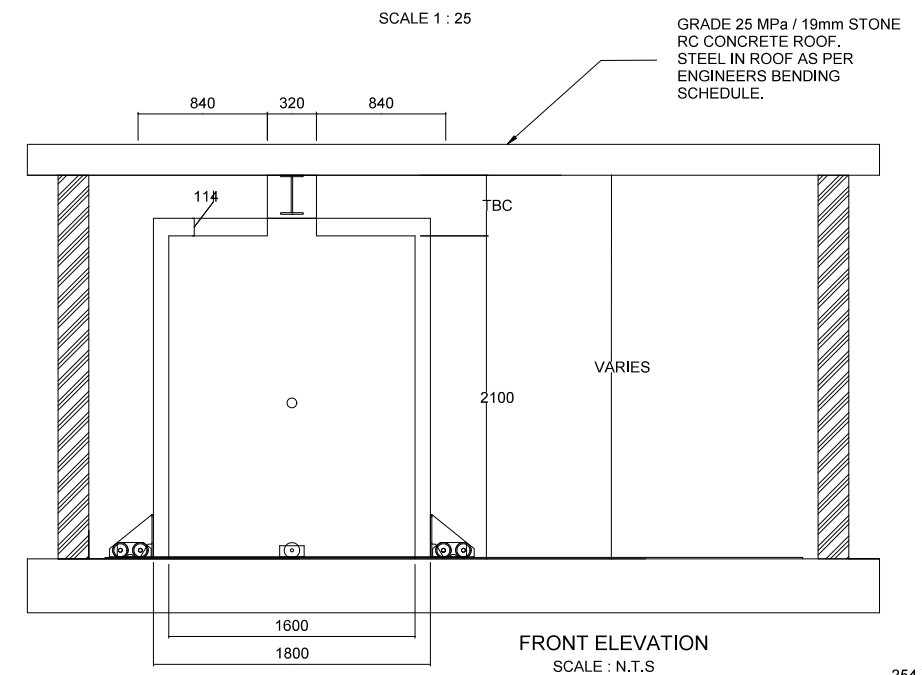
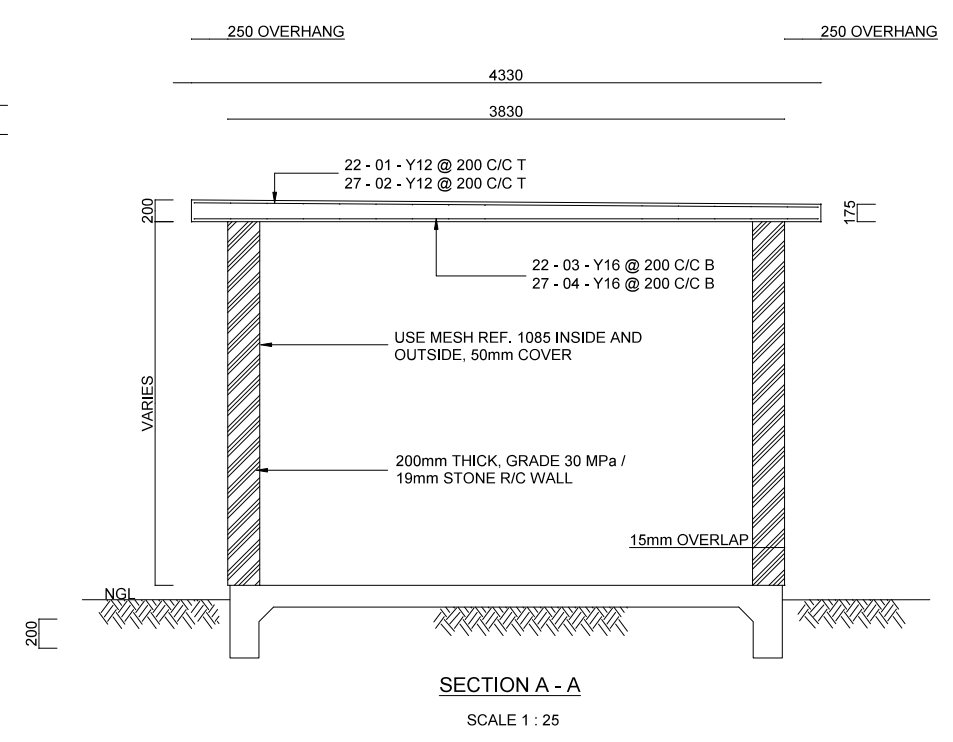
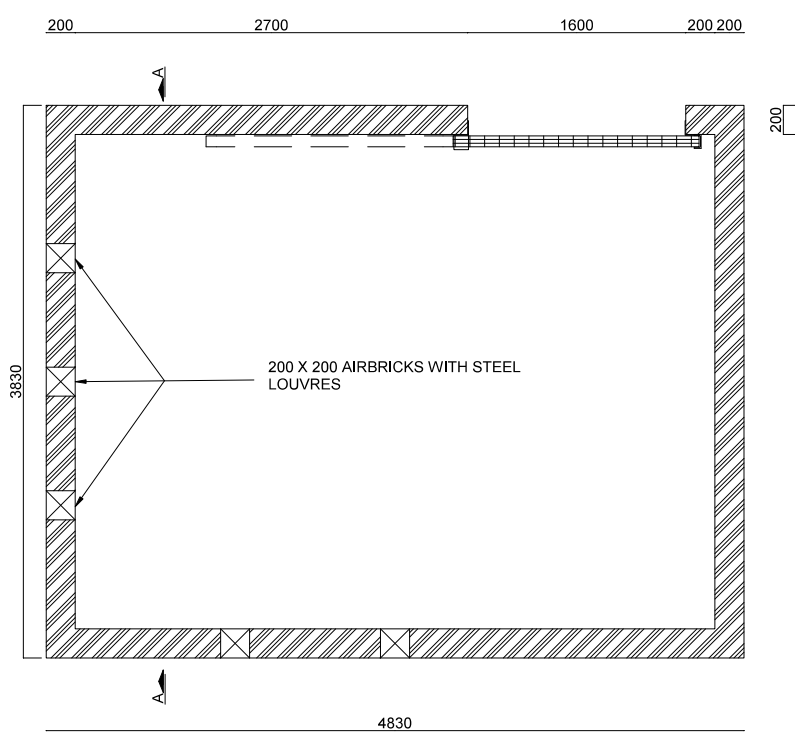
STRUCTURE: ROOF SLAB MIN COVER = 50 mm

BENDING SCHEDULE											
TYPE & DIA	MARK	UNITS	NO/ UNIT	TOTAL	LENGTH	CODE	DIMENSIONS				E/Rmm
							Amm	Bmm	Cmm	Dmm	
Y12	01	1	22	22	4200	20	4200				
Y12	02	1	27	27	5200	20	5200				
Y16	03	1	22	22	4200	20	4200				
Y16	04	1	27	27	5200	20	5200				
R8	SA1	1	11	40	630	83	250	80	150		

NOTE :
 THE WIDTH OF 1600MM AND THE HEIGHT OF 2100MM APPLY TO THE "WIDE" DOORWAY OPENING. OTHER DOORWAY WIDTHS BETWEEN 600MM AND 1600MM, AND OTHER DOORWAY HEIGHTS BETWEEN 2100MM AND 3600MM MAY ALSO BE ACCOMMODATED, SO LONG AS THE DOOR'S WIDTH AND HEIGHT ARE CONSISTENT WITH A MODULE OF 100MM. IN EVERY CASE THE WIDTH OF THE DOOR SHOULD BE 200MM WIDER THAN THE DOORWAY, AND THE HEIGHT OF THE DOOR SHOULD BE 100MM HIGHER THAN THE DOORWAY.

DRAWING REFERENCE		
No	Orig No	Title

- NOTES
- FIGURED DIMENSIONS ON DRAWINGS TO BE GIVEN PRIORITY OVER SCALING.
 - ANY OMISSIONS, DISCREPANCIES OR ERRORS TO BE IMMEDIATELY REPORTED TO THE ENGINEER. CONTRACTOR TO CHECK AND VERIFY SUFFICIENCY OF INFORMATION SHOWN ON THE DRAWING AND DIMENSIONS BEFORE COMMENCING WORK.
 - SHOULD THE CONTRACTOR PROCEED WITHOUT THE ABOVE APPROVALS HE DOES SO ENTIRELY AT HIS OWN RISK.



No	Description	Date	By

FOR TENDER PURPOSES

Recommended by: _____ Date: _____

Approved by: _____ Date: _____
 Drawn: _____ Designed: _____

Checked: _____ Engineer: _____

Client App: _____ Date: _____

SCALE: AS SHOWN

Client: JOE GOABI DISTRICT MUNICIPALITY

Contract: JGDM 2013/14 - 018

Title: STERKSPRUIT RBIG BULK SEWERAGE PROJECT
 MOGHESI TOWNSHIP PHASE 1
 PUMP STATIONS 1
 STRUCTURE DETAILS

12-DIB-083-2023
 Drawing No

NOTE : THE PLATFORM DOOR IS PROTECTED BY SA PATENT 2008/06587

DESIGNED BY: DR. N. PAPANFUS Pr. Eng
 DRAWN BY: W. HINRICHSEN

Rev No